

430G Pneumatic Hammer



Tube & Pipe Cleaners ◦ Tube Testers ◦ Tube Plugs ◦ Tube Removal ◦ Tube Installation



Operating and Maintenance Instructions

TABLE OF CONTENTS

Introduction 4

Safety Guidelines 5

Specifications 7

Service Notes 8

Parts List & Diagrams 9

Warranty 10

INTRODUCTION

Thank you for purchasing this Elliott product. More than 100 years of experience have been employed in the design and manufacture of this control, representing the highest standard of quality, value and durability. Elliott tools have proven themselves in thousands of hours of trouble-free field operation.

If this is your first Elliott purchase, welcome to our company; our products are our ambassadors. If this is a repeat purchase, you can rest assured that the same value you have received in the past will continue with all of your purchases, now and in the future.

If you have any questions regarding this product, manual or operating instructions, please call Elliott at +1 800 332 0447 toll free (USA only) or +1 937 253 6133, or fax us at +1 937 253 9189 for immediate service.

SAFETY GUIDELINES

Read and save all instructions. Before use, be sure everyone using this machine reads and understands this manual, as well as any labels packaged with or attached to the machine.

WARNING

When using electric tools, certain safety precautions are required to reduce the risk of electrical shock and personal injury.

WARNING

To reduce the risk of injury, always unplug your machine before performing any maintenance. Never disassemble the machine or try to do any wiring on the electrical system. Contact Elliott for all repairs.

- All Elliott Pneumatic Hammers should be operated and maintained in accordance with the American National Standards Institute Safety Code for Portable Air Tools (ANSI B186.1) and any other applicable safety codes and regulations. B186.1 information is available from National Standards Institute, Inc., 11 W 42nd Street, New York, NY 10036.
- Know Your Elliott Tool. Read this manual carefully to learn your tool's application and limitations as well as the potential hazards specific to this tool.
- Projectile Hazards: Always wear safety glasses to prevent the loss of sight or injury from flying projectiles when operating power tools. To prevent chisel ejection and injury to yourself or to bystanders NEVER operate the tool off the work or without a chisel retainer securely in place.
- Hearing Loss can result from prolonged exposure to excessive sound levels. ALWAYS use approved hearing protection.
- Avoid contact with accessories during and after use, as they may be HOT. Always wear gloves to prevent burns and cuts.
- To prevent injury from whipping hoses ALWAYS inspect hoses, couplings, and fittings to be sure they are in good condition and are properly tightened. When using Universal Hose Couplings, lock pins MUST be installed to prevent accidental hose disconnects.
- Disconnect the tool from the air supply when not in use or when changing chisels or accessories, or when making repairs. This practice will help prevent injury from accidental tool starts.
- Avoid Dangerous Environments. Do not use power tools in damp or wet locations

SAFETY GUIDELINES

- Keep Work Area Clean and Well Lit. Cluttered, dark work areas invite accidents.
- Dress Properly. Do not wear loose clothing or jewelry. Wear a protective hair covering to contain long hair. It is recommended that the operator wear safety glasses with side shields or a full face shield eye protection. Gloves and water repellent, nonskid footwear are also recommended. Keep hands and gloves away from moving parts.
- Use Safety Equipment. Everyone in the work area should wear safety goggles or glasses with side shields complying with current safety standards. Wear hearing protection during extended use, respirator for a confined space and a dust mask for dusty operations. Hard hats, face shields, safety shoes, respirators, etc. should be used when specified or necessary. Keep a fire extinguisher nearby.
- Use The Right Tools. Do not force a tool or attachment to do a job or operate at a speed it was not designed for.
- Use Proper Accessories. Use Elliott accessories only. Be sure accessories are properly installed and maintained.
- Check for Damaged Parts. Inspect guards and other parts before use. Check for misalignment, binding of moving parts, improper mounting, broken parts or any other conditions that may affect operation. If abnormal noise or vibration occurs, turn the tool off immediately and have the problem corrected before further use. Do not use a damaged tool. Tag damaged tools “Do Not Use” until repaired. A damaged part should be properly repaired or replaced by an Elliott service facility. For all repairs, insist on only identical replacement parts.
- Keep Hands Away from All Moving Parts.
- Do Not Overreach. Maintain Control. Keep proper footing and balance at all times.
- Stay Alert. Watch what you are doing, and use common sense. DO NOT use a tool when you are tired, distracted or under the influence of drugs, alcohol or any medication causing decreased control.
- Unplug Tool. Unplug tool when it is not in use, before changing accessories or performing recommended maintenance.
- Maintain Tool Carefully. Keep tools sharp and clean for best and safest performance. Follow instructions for lubrication, maintenance and changing accessories. For more information see “Maintenance” section. Periodically inspect the tool cord and extension cords for damage. Have damaged parts repaired or replaced by an Elliott service facility.
- Store Idle Tools. When not in use, store your tool in a dry, heated, secured place.
- Maintain Labels and Nameplates. These carry important information and will assist you in ordering spare and replacement parts. If unreadable or missing, contact an Elliott service facility for a replacement.

SPECIFICATIONS

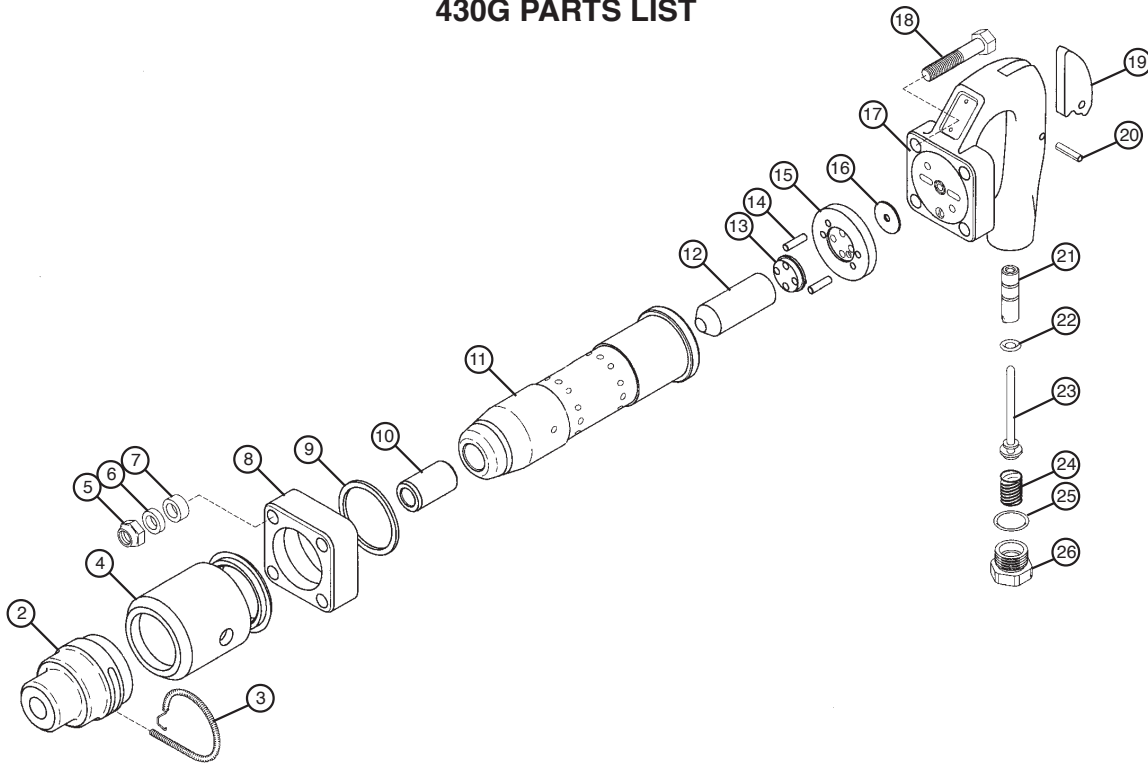
Recommended Air Pressure	90 PSI (6.2 bar) Maximum air pressure
Required Available CFM	30 CFM (per tool being operated)
Recommended Hose Size	1/2" Hose Whip, 25ft Maximum Length 3/4" Supply Hose for longer runs

SERVICE NOTES

1. To remove the exhaust deflector: With barrel removed from tool, mount barrel assembly nozzle side up in an arbor press, supported only by the barrel flange. Make sure there is adequate clearance underneath the barrel to press the barrel through the flange, forcing the exhaust deflector off in the process.
2. To install the exhaust deflector, use Elliott P/N 35-3CH932 installation tool to press deflector over the barrel. Make sure the barrel flange and absorber ring are installed prior to installing the deflector.
3. Do not attempt to remove the threaded pipe plugs in the handle. These are air passage closures only and are permanently installed.
4. To remove and replace the nozzle bushing, use Elliott P/N 35-3CH931 bushing removal tool. (requires an arbor press)

PARTS LISTS & DIAGRAMS

430G PARTS LIST



Item No.	Part No.	Part Name	Qty.
1	430G	Pneumatic Hammer	
2	35-250012-525	Retainer	1
3	35-250012-529	Retainer Lock Spring	1
4	35-250027-499	Exhaust Deflector	1
5	35-250027-497	Handle Bolt Nut	4
6	35-250027-496	Handle Bolt Spacer	4
7	35-250027-495	Vibration Spacer	4
8	35-250027-494	Barrel Flange	1
9	35-250027-493	Absorber Ring	1
10	35-B01-19B	Bushing, Round	1
11	35-2CH-AR106	Barrel	1
12	35-250027-500	Piston	1
13	35-250027-480	Valve Seat Bumper	1
14	35-250027-481	Pin	2
15	35-250027-482	Valve Seat	1
16	35-250027-483	Disc Valve	1
17	35-250027-484	Bare Handle, Steel*	1
18	35-250027-485	Bolt	4
19	35-250027-486	Trigger*	1
20	35-0481	Pin*	1
21	35-250027-487	Valve Stem Bushing*	1
22	35-250027-431	O-Ring*	1
23	35-250027-488	Throttle Valve*	1
24	35-250027-489	Valve Spring*	1
25	35-250027-490	O-Ring*	1
26	35-27505	1/2" NPT Inlet Bushing*	1

*Complete Handle Assembly 35-3CH-1A includes all of these items.

WARRANTY

Should any part, of Seller's own manufacture, prove to have been defective in material or workmanship when shipped (as determined by Seller), Seller warrants that it will, at its sole option, repair or replace said part f.o.b., point of manufacture, provided that Buyer notifies, in writing, of such defect within twelve (12) months from date of shipment from the manufacturing plant.

On request of Seller, the part claimed to be defective will be returned, transportation, insurance, taxes and duties prepaid, to the factory where made, for inspection. Any item, which has been purchased by Seller, is warranted only to the extent of the original manufacturer's warranty to Seller. Seller shall not be liable for any damages or delays caused by defective material or workmanship.

No allowance will be made for repairs or alterations made by others without Seller's written consent or approval. If repairs or alterations are attempted without Seller's consent, Seller's warranty is void.

THE WARRANTIES PROVIDED IN THE OBLIGATIONS AND LIABILITIES OF SELLER HEREUNDER, AND THE RIGHTS AND REMEDIES OF BUYER HEREUNDER ARE EXCLUSIVE AND IN SUBSTITUTION FOR, AND BUYER HEREBY WAIVES ALL OTHER WARRANTIES, GUARANTEES, OBLIGATIONS, CLAIMS FOR LIABILITIES, RIGHTS AND REMEDIES, EXPRESS OR IMPLIED, ARISING BY LAW OR OTHERWISE, INCLUDING BUT NOT LIMITED TO THE IMPLIED WARRANTY FOR MERCHANTABILITY AND FITNESS FOR PURPOSE.

Seller's total liability is limited to the lower of the cost of repair or replacement.



Contact Us

Elliott Tool offers a complete line of precision tube tools to meet your needs. Contact us or your local support.

Elliott Tool Technologies, Ltd.
1760 Tuttle Avenue
Dayton, Ohio 45403-3428
Phone: +1 937 253 6133 • +1 800 332 0447
Fax: +1 937 253 9189
www.elliott-tool.com

Printed in the USA
©02/2019 Elliott Tool Technologies, Ltd.
TM-75
PL-46

Locally Supported By:

www.elliott-tool.com/support